

# Top equipment for top products

精良设备，只为生产好产品而准备



时刻以客户需求为己任，坚持以切切实实的产品质量和  
服务满足国内外客户的需求，精准求实，追求卓越，努力实现企  
业与客户之间的双赢，为企业成为行业的领航人及永续发展打下  
了坚实的基石。

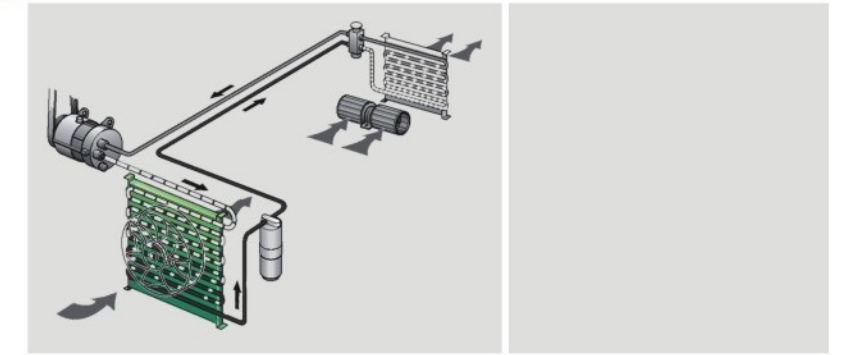
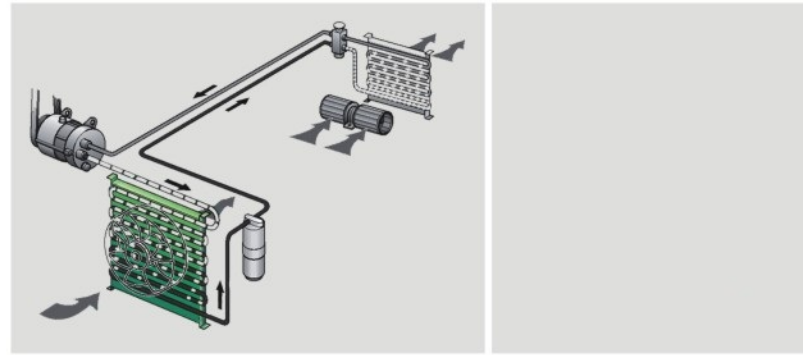
focus on the needs of customers. Seeking pragmatic,  
pursuit excellence, we make an effort to establish a win-win  
situation, which lay a solid foundation for ROGER to keep a  
leading position in screw manufacture market.



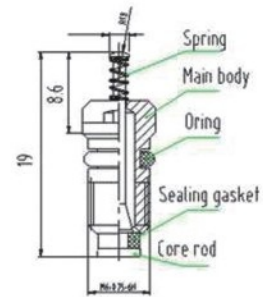
## Valve core&seats



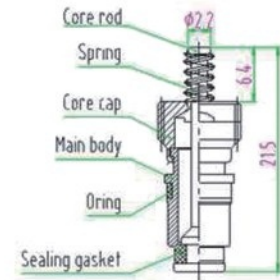
苏州荣杰汽车配件有限公司  
Suzhou Roger Auto Parts Co., Ltd.



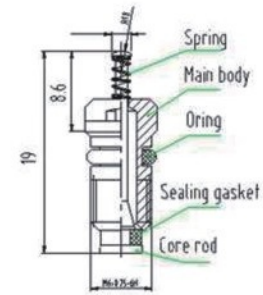
001



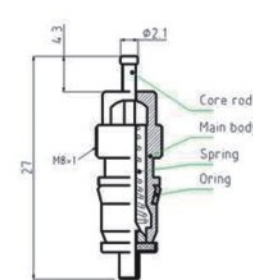
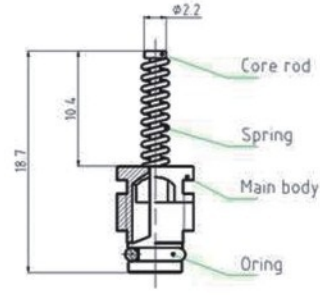
002



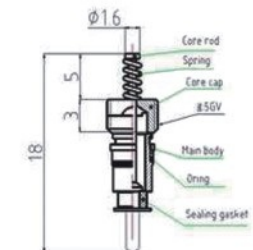
003



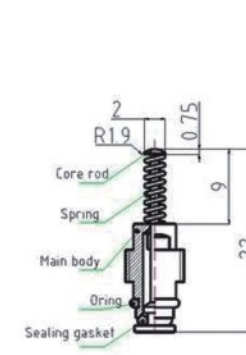
004



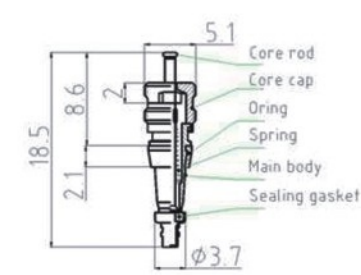
005



005Q



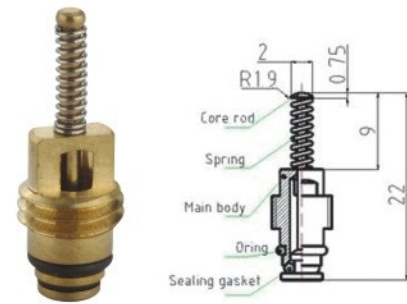
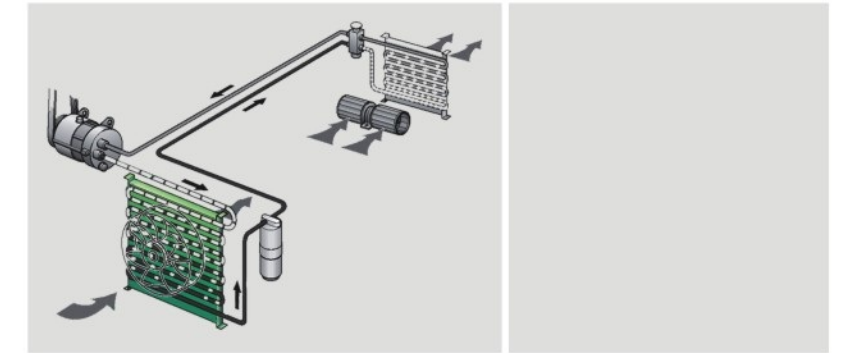
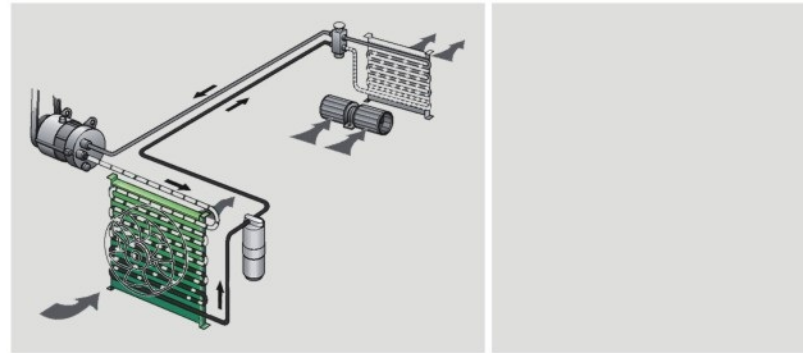
006



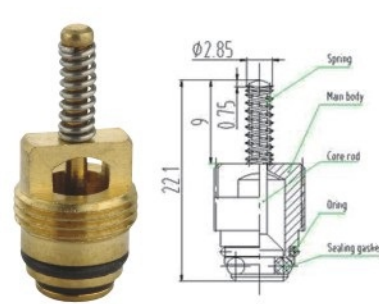
007

Model Name:	001	002	003	004
Type:	Standard valve core	Volvo- Citroen- VW Bora Peugeot	Standard valve core	Standard valve core
Screw Thread:	M6*0.75	M8*1	M6*0.75	M6*1
Oring:	HNBR	HNBR	HNBR	HNBR
Pressure:	0-5.3MPa	0-5.3MPa	0-5.3MPa	0-5.3MPa
Temperature+-:	-40C°~ +150C°	-40C°~ +150C°	-40C°~ +150C°	-40C°~ +150C°
Packaging :	200pc/box	100pc/box	200pc/box	200pc/box
Material:	Copper	Copper	Copper	Copper
Height:	19.9mm(0.78 in)	21.5mm(0.85 in)	19.9mm(0.78 in)	18.6mm(0.73 in)
Oring Color:	Black Green	Black	Black Green	Black
Weight:	2.06g	2.12g	2.06g	1.1g

Model Name:	005	005Q	006	007
Type:	BMW Benz	BMW Benz	Standard valve core	Standard valve core
Screw Thread:	M8*1	M8*1	5V1	5V1
Oring:	HNBR	HNBR	NBR	NBR
Pressure:	0-5.3MPa	0-5.3MPa	0-5.3MPa	0-5.3MPa
Temperature+-:	-40C°~ +150C°	-40C°~ +150C°	-40C°~ +150C°	-40C°~ +150C°
Packaging :	100pc/box	100pc/box	200pc/box	500pc/box
Material:	Copper	Copper	Copper	Copper
Height:	27mm(1.06 in)	27mm(1.06in)	18.2mm(0.72 in)	18.5mm(0.73 in)
Oring Color:	Black	Black	Black	Black, White, Green
Weight:	2.78g	2.78g	0.68g	1.1g



008



009



011



010



013



014



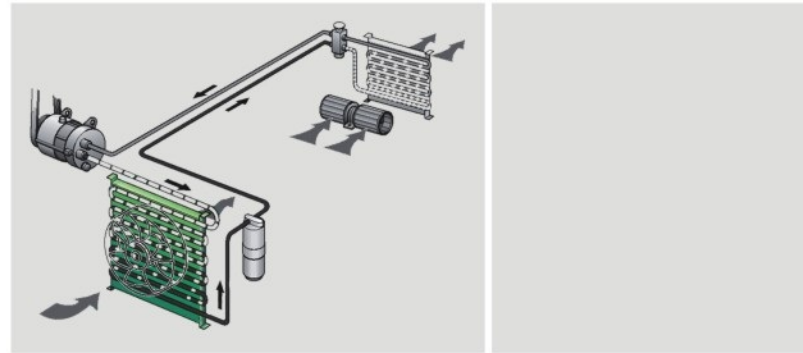
015



012

Model Name:	008	009	010	011
Type:	Standard valve core	Standard valve core	Standard valve core	#9200 Tyre core
Screw Thread:	M8*1	M10*0.75	M8*1	5V1
O-ring:	NBR	NBR	NBR	NBR
Pressure:	0-5.3MPa	0-5.3MPa	0-1.5MPa	0-1.5MPa
Temperature+/-:	-40C°~ +150C°	-40C°~ +150C°	-40C°~ +150C°	-40C°~ +150C°
Packaging :	100pc/box	100pc/box	100pc/box	100pc/box
Material:	Copper	Copper	Copper	Copper
Height:	18.5mm(0.73 in)	22mm(0.86 in)	10.3mm(0.4 in)	22mm(0.86in)
O-ring Color:	Black	Black		RED
Weight:	2.29g	2.29g	1.16g	2.29g

Model Name:	012	013	014	015
Type:	#8200 Tyre core	#8200 Tyre core	LB9000 Tyre	Lb8000 Tyre
Screw Thread:	5V1	5V1	8V1	8V1
O-ring:	NBR	NBR	NBR	NBR
Pressure:	0-1.5MPa	0-1.5MPa	0-1.5MPa	0-1.5MPa
Temperature+/-:	-40C°~ +150C°	-40C°~ +150C°	-40C°~ +150C°	-40C°~ +150C°
Packaging :	100pc/box	100pc/box	100pc/box	100pc/box
Material:	Copper	Copper	Copper	Copper
Height:		34mm(1.33 in)	34mm(1.33 in)	36mm(1.42in)
O-ring Color:	White	RED	RED	RED
Weight:	1.11g	1.11g	1.11g	2.92g



016



017

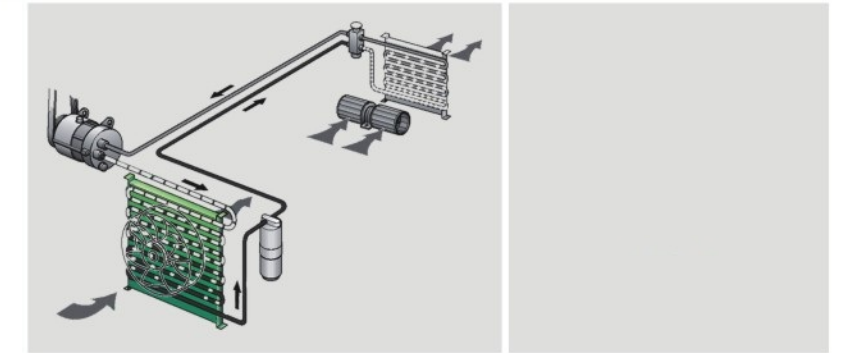


018



019

Model Name	Screw Thread	Material	Packaging
016	M15*1	K70	200pcs/box
Model Name	Screw Thread	Material	Packaging
017	M13*1	K70	200pcs/box
Model Name	Screw Thread	Material	Packaging
018	M12*1	K70	200pcs/box
Model Name	Screw Thread	Material	Packaging
019	M12*1	K70	200pcs/box



020



021



022



023

Model Name	Screw Thread	Material	Packaging
020	1/8-28PF	K70	200pcs/box
Model Name	Screw Thread	Material	Packaging
021	1/8-28PF	K70	200pcs/box
Model Name	Screw Thread	Material	Packaging
022	M10*1.25	K70	200pcs/box
Model Name	Screw Thread	Material	Packaging
023	M12*1.5	K70	200pcs/box



023(R12)



024



025



026



Model Name	Screw Thread	Material	Packaging
023(R12)	M12*1.5	K70	200pcs/box
Model Name	Screw Thread	Material	Packaging
024	M8*1	K70	200pcs/box
Model Name	Screw Thread	Material	Packaging
025	M8*1	K70	200pcs/box
Model Name	Screw Thread	Material	Packaging
026	3/8"-24UNF	Copper	200pcs/box



027



028



029



030



Model Name	Screw Thread	Material	Packaging
027	3/8"-24UNF	Copper	200pcs/box
Model Name	Screw Thread	Material	Packaging
028	3/8"-24UNF	1314	200pcs/box
Model Name	Screw Thread	Material	Packaging
029	3/8"-24UNF	1314	200pcs/box
Model Name	Screw Thread	Material	Packaging
030	M12*1	K70	200pcs/box



031



032



035



036



037



033



034



038

Model Name	Screw Thread	Material	Packaging
031		K70	200pcs/box
Model Name	Screw Thread	Material	Packaging
032	3/8"-20UNF	K70	200pcs/box
Model Name	Screw Thread	Material	Packaging
033	7/16"-20UNF	K70	200pcs/box
Model Name	Screw Thread	Material	Packaging
034	7/16"-20UNF	Iron	200pcs/box

Model Name	Screw Thread	Material	Packaging
035	7/16"-20UNF 3/8"-24UNF	Copper	200pcs/box
Model Name	Screw Thread	Material	Packaging
036	7/16"-20UNF	K70	200pcs/box
Model Name	Screw Thread	Material	Packaging
037	3/8"-24UNF	Iron	200pcs/box
Model Name	Screw Thread	Material	Packaging
038	7/16"-20UNF	K70	200pcs/box



039



040



041

Model Name	Screw Thread	Material	Packaging
039	7/16"-20UNF	K70	200pcs/box
Model Name	Screw Thread	Material	Packaging
040	M6*0.75	Copper	200pcs/box
Model Name	Screw Thread	Material	Packaging
041	7/16"-20UNF	K70	200pcs/box



042



043



044



045

Model Name	Screw Thread	Material	Packaging
042	3/8"-24UNF	K70	200pcs/box
Model Name	Screw Thread	Material	Packaging
043	3/8"-24UNF	K70	200pcs/box
Model Name	Screw Thread	Material	Packaging
044	7/16"-20UNF	K70	200pcs/box
Model Name	Screw Thread	Material	Packaging
045	7/16"-20UNF	K70	200pcs/box



Model Name	Specifications Name	Material	Packaging
2101	High-pressure valve	K70	200pcs/box
Model Name	Specifications Name	Material	Packaging
2102	High-pressure valve	K70	200pcs/box
Model Name	Specifications Name	Material	Packaging
2103	High-pressure valve	K70	200pcs/box
Model Name	Specifications Name	Material	Packaging
2104	High-pressure valve	K70	200pcs/box



Model Name	Specifications Name	Material	Packaging
2201	Low-pressure valve	K70	200pcs/box
Model Name	Specifications Name	Material	Packaging
2202	Low-pressure valve	K70	200pcs/box
Model Name	Specifications Name	Material	Packaging
2203	Low-pressure valve	K70	200pcs/box
Model Name	Specifications Name	Material	Packaging
2204	Low-pressure valve	K70	200pcs/box





Model Name	Specifications Name	Material	Packaging
230	pressure switch valve	K70	200pcs/box
2301	pressure switch valve	K70	200pcs/box
2302	pressure switch valve	K70	200pcs/box
040101	Sight Glass	K70	200pcs/box



Model Name	Specifications Name	Material	Packaging
050101	Riveted aluminum sleeve	3003	200pcs/box
060101	Air conditioning pipe silencer	3003	200pcs/box



054



055



056



7/16"-20UNF



057



058



059



060



061



062



063



064



065



066



067



068



069

Model Name	Screw Thread	Material	Packaging
054	7/16"-20UNF-2B	Plastics	500pcs/box
Model Name	Screw Thread	Material	Packaging
055	3/8"-24UNF-2B	Plastics	500pcs/box
Model Name	Screw Thread	Material	Packaging
056	3/8"-24UNF-2B	Plastics	500pcs/box
Model Name	Screw Thread	Material	Packaging
057	M10*0.75	Plastics	500pcs/box
Model Name	Screw Thread	Material	Packaging
058	M10*1.25	Plastics	500pcs/box
Model Name	Screw Thread	Material	Packaging
059	M9*1	Plastics	500pcs/box

Model Name	Screw Thread	Material	Packaging
060	M10*1.25	Plastics	500pcs/box
061	M8*1	Plastics	500pcs/box
062	M8*1	Plastics	500pcs/box
063	3/8"-24UNF	Plastics	500pcs/box
064	7/16"-20UNF	Copper	500pcs/box
065	7/16"-20UNF	Copper	500pcs/box
066	M10*1.25	Copper	500pcs/box
067	7/16"-20UNF	Copper	500pcs/box
068	M9*1	Copper	500pcs/box
069	7/16"-20UNF	Copper	500pcs/box



Model Name	Specifications	Material	Packaging
046	3.2mm(0.13in)	Alu	20pcs/box
Model Name	Specifications	Material	Packaging
047	2.2mm(0.08in)	Plastics	10pcs/box
Model Name	Specifications	Material	Packaging
048	2mm 3.1mm (MAX0.12in)	Plastics	10pcs/box
Model Name	Specifications	Material	Packaging
049			



Model Name	Specifications	Material	Packaging
050	2mm 3.1mm (MAX0.12in)	Alu	10pcs/box
Model Name	Specifications	Material	Packaging
051	2mm 2.7mm (MAX0.1in)	Alu	10pcs/box
Model Name	Specifications	Material	Packaging
052	2mm 2.7mm (MAX0.1in)	Alu	10pcs/box
Model Name	Specifications	Material	Packaging
053	2mm 2.7mm (MAX0.1in)	Alu	10pcs/box